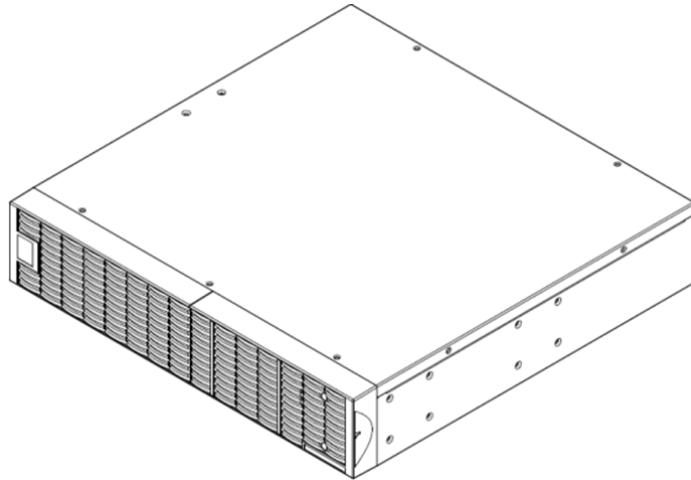


QUICK START GUIDE
EXPANSION BATTERY PACK
UPS-OLEBPR-1 | UPS-OLEBPR-2



THANK YOU

Thank you for purchasing a UPS-OLEBPR expansion battery pack. Please read these instructions thoroughly before installing this product.

PRODUCT FEATURES

- Add additional runtime to an online series UPS
- Connect up to 10 expansion battery packs to a single UPS
- Plug and play operation.
- Access the following link to download the latest version of the Power Manager software and the UPS-OLEBPR User Manual:

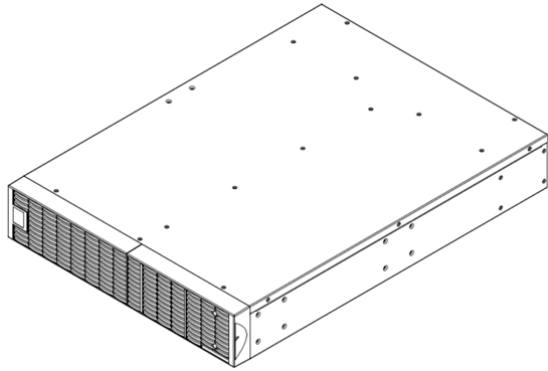
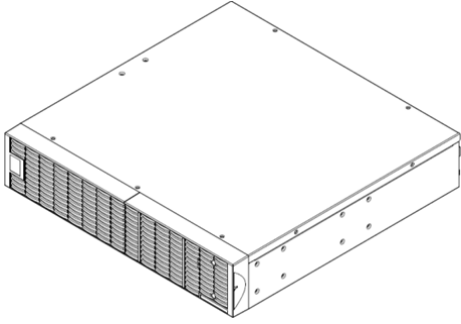
www.middleatlantic.com/downloads



Middle Atlantic Products

I-00792 Rev B

UNPACKING



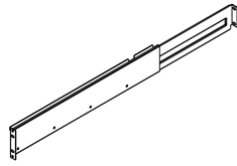
1.5/2/3KVA Battery pack



Quick Start Guide



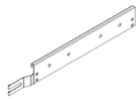
Rackmount Left Rail



Rackmount Right Rail



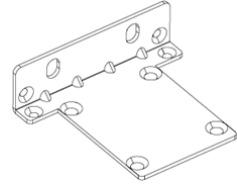
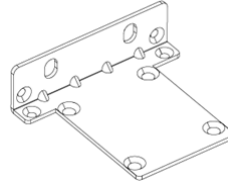
Left Hanging Bracket



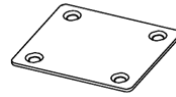
Right Hanging Bracket



Power cord



Rackmount ears (2)



Tie plate (1)



Flat head screws: M5x7L (8)



Pan head screws: M5x6L (6)



Pan head Screws: 10-32x1/2L (12)



Screw hole dust covers (12)

HARDWARE INSTALLATION

Rackmount Installation

WARNING: Unplug and allow the equipment to fully discharge before performing installation steps.

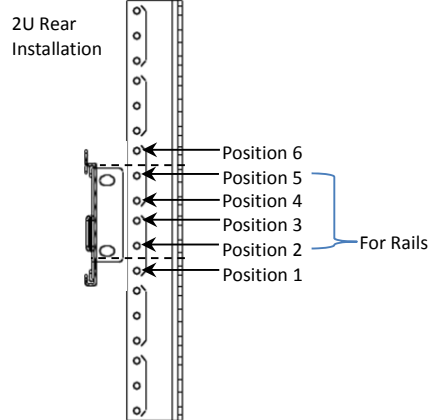
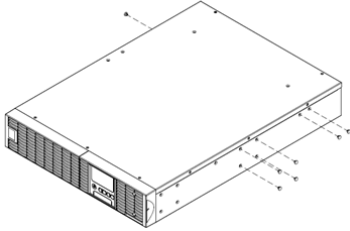
AVERTISSEMENT: Débranchez et laissez l'appareil se décharger complètement avant de réaliser les étapes d'installation.

WARNING: For safety instructions, refer to the "UPS-OLEBPR User Manual" via the link or QR code provided on the first page of this guide.

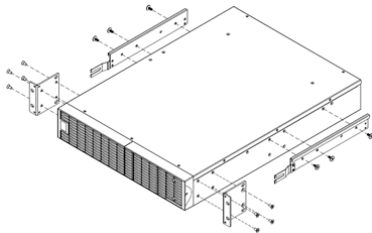
AVERTISSEMENT: Pour obtenir des instructions de sécurité, se reporter à la "UPS-OLEBPR User Manual" via le lien ou le code de QR fourni sur la première page de ce guide.

NOTE: Some rackmount steps are pictured with the Online UPS. The rackmount mounting procedure is the same for both products.

1. Turn off and unplug the unit.
2. Remove the (7) dust covers by prying them from the screw holes.

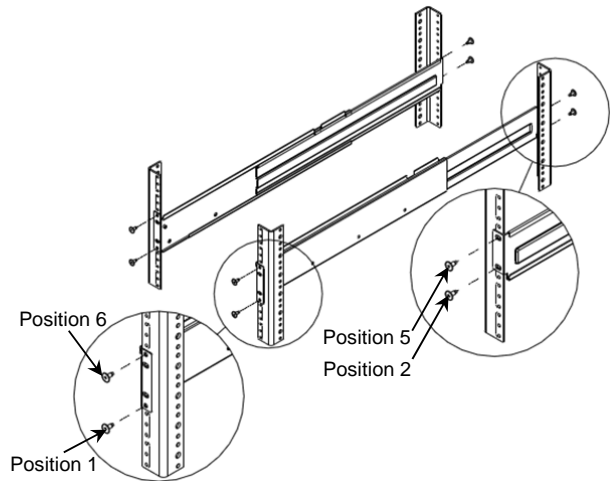
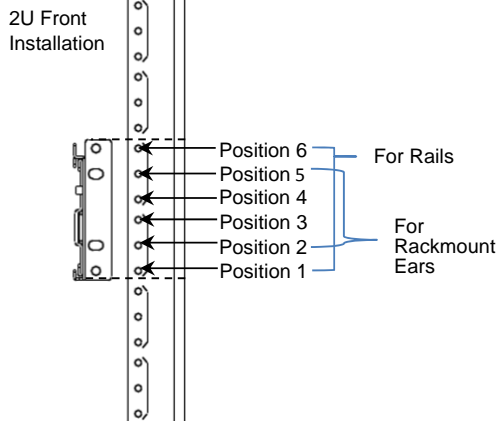


3. Install (2) rackmount ears using (8) M5x7L flat head screws. Also, install (2) hanging brackets using (6) M5x6L pan head screws.

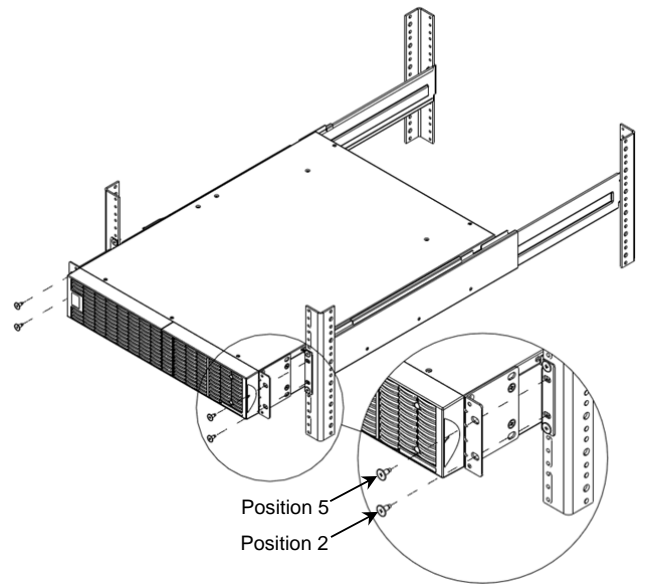


5. Adjust the rackrail depth within specified mounting ranges from step 4. Attach the rackmount rail to your rack with (8) 10-32x1/2L screws and (2 screws for both front and back and for each rail). Tighten all screws.

4. Install your rackmount rails. The rails adjust to mount in 48cm (19") panel racks from 52 to 91.5cm (20.5 to 36") deep. Select the proper holes in the rack for positioning the battery pack in the rack. The battery pack takes up positions 1 through 6.



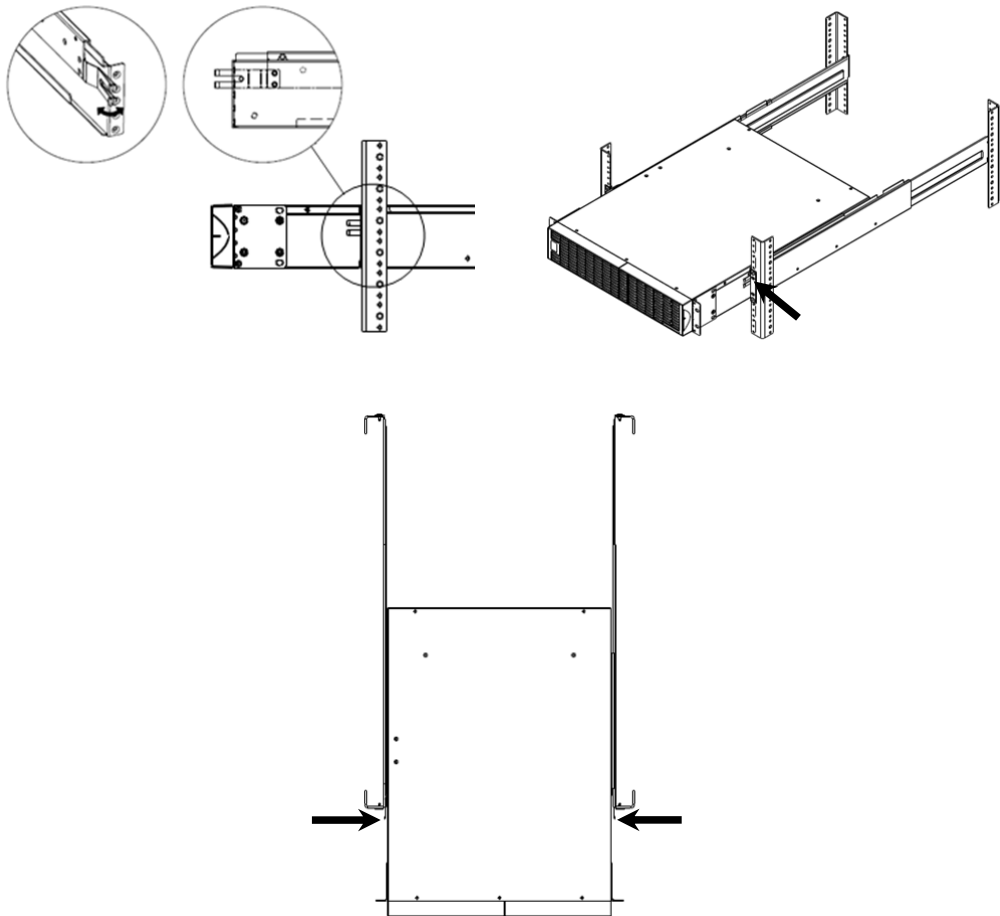
- Slide hanging brackets on the battery pack into the rails mounted in the rack with the front of the unit facing you. Secure the battery pack to your rack with (4) 10-32x1/2L screws on the front of the rack (located in positions 2 and 5).



- Once completed, perform the same steps for the UPS.

Sliding Out the Battery Pack from the Rackrail

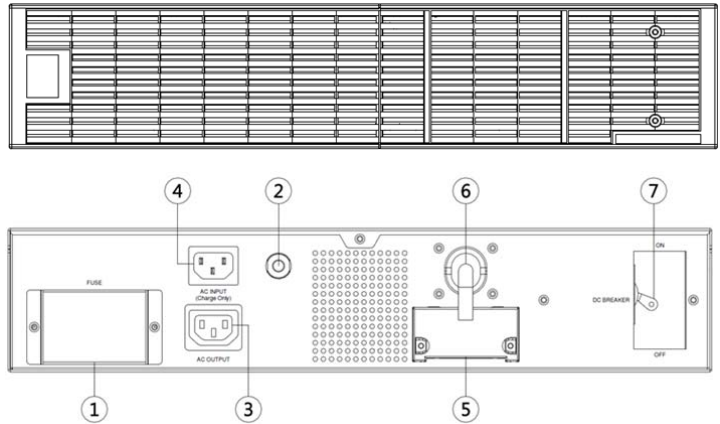
- Turn off and unplug the unit.
- The battery pack is secured from being pulled out of the rack any further than its mid-length by a safety lock mechanism. Use both hands to hold the battery pack and press the safety locking tabs to pull the battery pack out of the rack.



BASIC OPERATION

Battery Pack Front/Rear Panel Description

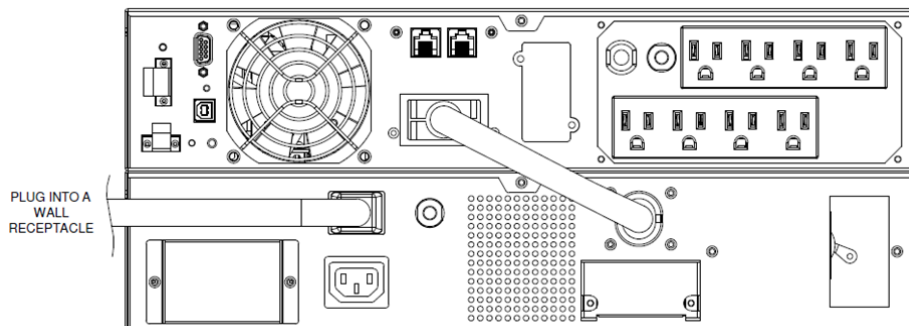
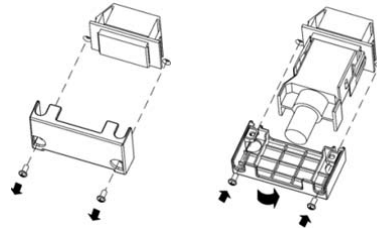
- 1. On-board Replaceable Fuse Cover:**
Replaceable fuse is accessible from the rear panel. It must be done by qualified personnel.
- 2. AC Circuit Breaker:**
Provides overload and fault protection.
- 3. AC Output Outlet:**
Use this outlet to connect to the AC Input Inlet of a downstream battery pack.
- 4. AC Input Inlet (Charge Only):**
AC power connectivity to wall receptacle.
- 5. Input Connector:**
Use this input connector to series connect another battery pack. Remove the connector cover for access.
- 6. Output Cable:**
Use this output cable to connect the battery pack to the UPS or another battery pack.
- 7. DC Breaker:**
Use the DC breaker to disconnect battery output.



UPS-OLEBPR-2 / UPS-OLEBPR-1

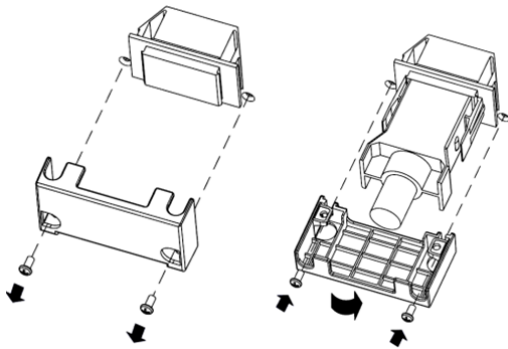
UPS With One Battery Pack Connected

1. Turn off the DC breaker of the battery pack.
2. Loosen the two screws to remove the battery cable retention bracket of the UPS.
3. Use the output cable of the battery pack to connect the battery pack to the UPS.
4. Rotate the battery cable retention bracket and tighten the two screws to fix battery cable.
5. Use a power cord to plug AC input inlet of the battery pack into a wall receptacle.
6. Turn on the DC breaker of the battery pack.



UPS With Multiple Battery Packs Connected

1. Connect the 1st battery pack to the UPS using the previous instructions. For more information, see “UPS With One Battery Pack Connected” on page 5.
2. Turn off the DC breaker of the 2nd Battery module.
3. Loosen the two screws to remove the battery cable retention bracket of the 1st battery pack.
4. Use the output cable of the 2nd battery pack to connect the 2nd battery pack to the 1st battery pack.
5. Rotate the battery cable retention bracket and tighten the two screws to fix battery cable.
6. Use a power cord to plug AC input inlet of the 2nd battery pack into AC output outlet of the 1st battery pack.
7. Turn on the DC breaker of the 2nd Battery module.



External Battery Pack Configuration

The UPS can be configured to reflect the correct estimated runtimes for the number of battery packs installed by using the LCD Control Panel to select the number of battery packs installed.

1. Press the “ENTER” button to activate the “MAIN MENU”.
2. Press the “▲” and “▼” buttons to scroll to the “Configure” option.
3. Press the “ENTER” button to select the “Configure” submenu.
4. Press the “▲” and “▼” buttons to scroll to the “EBM Number” option.
5. Press the “ENTER” button to select the “EBM Number” submenu.

The first configuration number will be displayed on the second column of LCD display.

6. Press the “▲” and “▼” buttons to scroll through the number of attached battery packs.
7. Press the “ENTER” button to select the number of battery packs installed.

You may be prompted to save the selection, if so press the “ENTER” button to save the setting.

8. Press the “ESC” button to cancel or return to the previous LCD menu.

Configure Submenu	Available Settings	Default Settings
EBM Number	= [0] [1] [2] [3] [4] [5] [6] [7] [8] [9] [10]	0

MAINTENANCE

Storage

Cover your battery packs and fully charge them when storing for an extended period of time. Recharge the batteries every three months to ensure their full capacity and maintain the longest possible battery life

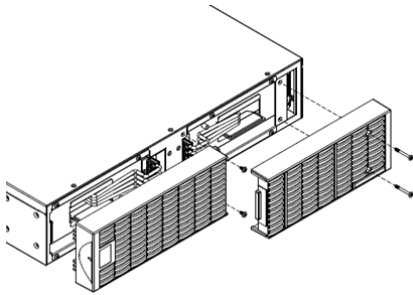
Replacement Batteries

Please refer to the front side of the battery pack for the model number of the correct replacement batteries.

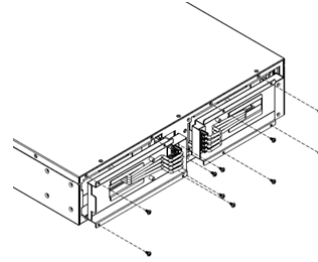
Battery Replacement

NOTE: For qualified service personnel, the battery is hot swappable. Non-qualified service personnel are strongly urged to follow the first step to power off the unit and disconnect it from its AC power source.

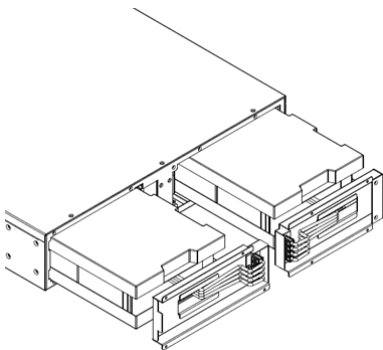
1. Power off the unit and disconnect it from its AC power source.



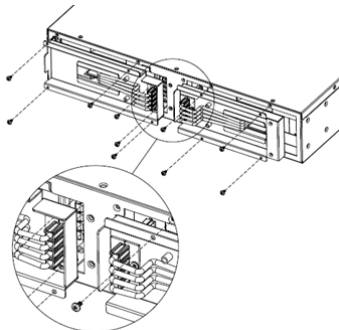
2. Remove the front panels.



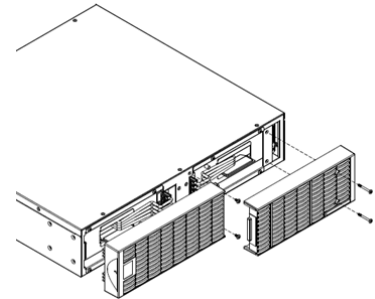
3. Remove the retaining screws from the cable protection cover and then remove the cover itself.



4. Pull the battery tray out slowly and then put the new battery tray back into the compartment.



5. Fasten back the connectors on the battery retaining cover. Then insert the battery connectors and tighten the screws of battery retaining cover.



6. Reinstall the front panels.

WARRANTY

For warranty information, refer to www.middleatlantic.com/terms.

Corporate Headquarters

Corporate Voice: 973-839-1011 – Fax: 973-839-1976 / International Voice: +1 973-839-8821 – Fax: +1 973-839-4982
www.middleatlantic.com - info@middleatlantic.com

Middle Atlantic Canada

Voice: 613-836-2501 – Fax: 613-836-2690 / www.middleatlantic.ca - customerservicecanada@middleatlantic.ca

Factory Distribution

USA: NJ – CA – IL Canada: ON - BC

At Middle Atlantic Products we are always listening. Your comments are welcome.

Middle Atlantic Products is an ISO 9001 and ISO 14001 Registered Company.